

КGV..

en Operating instructions
ru Инструкция по эксплуата
uk Інструкція з експлуатац



en Index

Information concerning disposal	5	Freezing food	12
Safety and warning information	5	Defrosting frozen produce	13
Positioning	7	Switching off and disconnecting the appliance	13
Changing over the door hinges	7	Defrosting the freezer compartment	14
Getting to know your appliance	8	Cleaning the appliance	14
Observe room temperature	8	Tips for saving energy	15
Connecting the appliance	9	Operating noises	15
Switching on the appliance	9	Eliminating minor faults yourself	16
Storing food	10	Customer service	17
Special features	11		
Freezing and storing frozen food	11		

ru Содержание

Указания по утилизации	18	Замораживание продуктов питания	28
Указания по безопасности и предупреждения	19	Размораживание замороженных продуктов	29
Перед подключением	21	Выключение и вывод холодильника из эксплуатации	29
Изменение направления открывания дверцы	22	Размораживание морозильного отделения	30
Знакомство с холодильником	22	Чистка холодильника	30
Температура окружающей среды	23	Как сэкономить электроэнергию	31
Подключение холодильника	24	Рабочие шумы	31
Включение холодильника	24	Самостоятельное устранение мелких неисправностей	32
Размещение продуктов питания	25	Служба сервиса	33
Специальное оснащение	26		
Замораживание и хранение продуктов	27		

ук Зміст

Рекомендації з утилізації	34	Замороження продуктів	43
Рекомендації з дотримання безпеки та застереження	35	Розмороження заморожених продуктів	44
Перед підключенням	37	Вимкнення та зупинка роботи приладу	44
Зміна сторони кріплення дверцят	37	Розморожування морозильної камери	45
Ознайомлення з приладом	38	Чистка приладу	45
Зверніть увагу на температуру навколишнього середовища	38	Заощадження енергії	46
Підключення приладу	39	Шуми при експлуатації	46
Ввімкнення приладу	40	Перед викликом служби сервісу. .	47
Розміщення продуктів харчування	41	Служба сервісу	48
Спеціальне оснащення	42		
Заморожування та зберігання продуктів	42		



Information concerning disposal

Disposal of packaging

The packaging protects your appliance from damage during transit. All packaging materials are environmentally friendly and recyclable. Please contribute to a better environment by disposing of packaging materials in an environmentally-friendly manner.

Please ask your dealer or inquire at your local authority about current means of disposal.

Disposal of your old appliance

Old appliances are not worthless rubbish! Valuable raw materials can be reclaimed by recycling old appliances.

Warning

Redundant appliances:

1. Pull out the mains plug.
2. Cut off the power cord and discard with the mains plug.

Refrigerators contain refrigerants and the insulation contains gases. Refrigerant and gases must be disposed of properly. Ensure that tubing of the refrigerant circuit is not damaged prior to proper disposal.

Safety and warning information

Before you switch ON the appliance

Please read the operating and installation instructions carefully.

They contain important information on how to install, use and maintain the appliance.

Keep all documentation for subsequent use or for the next owner.

Technical safety

- This appliance contains a small quantity of environmentally-friendly but flammable R600a refrigerant. Ensure that the tubing of the refrigerant circuit is not damaged during transportation and installation. Leaking refrigerant may cause eye injuries or ignite.

If damage has occurred

- Keep naked flames and/or ignition sources away from the appliance.
- Thoroughly ventilate the room for several minutes.
- Pull out the mains plug.
- Notify customer service.

The more refrigerant an appliance contains, the larger the room must be. Leaking refrigerant can form a flammable gas-air mixture in rooms which are too small.

The room must be at least 1 m³ per 8 g of refrigerant. The amount of refrigerant in your appliance is indicated on the rating plate inside the appliance.

- Only customer service may change the power cord and carry out any other repairs. Improper installations and repairs may put the user at considerable risk.

Important information when using the appliance

- Never use electrical appliances inside the appliance (e. g. heaters, electric ice makers, etc.). **Risk of explosion!**
- Never use a steam cleaner to defrost or clean the appliance. The steam may penetrate electrical parts and cause a short-circuit.
Risk of electric shock!

- Do not use pointed or sharp-edged implements to remove frost or layers of ice.
You could damage the refrigerant tubing. Leaking refrigerant may ignite or cause eye injuries.
- Do not store products which contain flammable propellants (e. g. spray cans) or explosive substances in the appliance. **Explosion hazard!**
- Do not stand or support yourself on the base, drawers or doors, etc.

- Before defrosting or cleaning the appliance, switch off the appliance, pull out the mains plug or switch off the fuse.
Pull on the mains plug, not on the power cord.
- Bottles which contain a high percentage of alcohol must be sealed and stored in an upright position.
- Keep plastic parts and the door seal free of oil and grease. Otherwise, parts and door seal will become porous.
- Never cover or block the ventilation openings for the appliance.
- Do not store bottled or canned drinks (especially carbonated drinks) in the freezer compartment. Bottles and cans may explode!
- Never put frozen food straight from the freezer compartment into your mouth.
Risk of low-temperature burns!
- Avoid prolonged touching of frozen food, ice or the evaporator pipes, etc.
Risk of low-temperature burns!

Children in the household

- Keep children away from packaging and its parts. Danger of suffocation from folding cartons and plastic film!
- Do not allow children to play with the appliance!
- If the appliance features a lock, keep the key out of the reach of children.

General requirements

The appliance is suitable

- for refrigerating and freezing food,
- for making ice.

The appliance is designed for domestic use.

The appliance has been interference-suppressed in compliance with EU Directive

ГОСТ Р 51318.14.1-99,
ГОСТ Р 51318.14.2-99,
ГОСТ Р 51317.3.2-99,
ГОСТ Р 51317.3.3-99.

The refrigerant circuit has been tested for leaks.

This product complies with the relevant safety regulations for electrical appliances
ГОСТ Р МЭК 60335-2-24.

Positioning

Installing the appliance

The appliance should be installed in a dry, well ventilated room, but not exposed to direct sunlight and not placed near a heat source, e.g. a cooker, radiator, etc. If installation next to a heat source is unavoidable, use a suitable insulating plate or comply with the following minimum distances to a heat source:

3 cm to an electric cooker.
30 cm to an oil or solid-fuel cooker.

If installing the appliance next to another refrigerator or freezer, ensure that there is a gap of at least 2 cm between the appliances to prevent condensation.

Aligning the appliance

Fig. 2

The appliance must be level. If the floor is uneven, use the front height-adjustable feet.

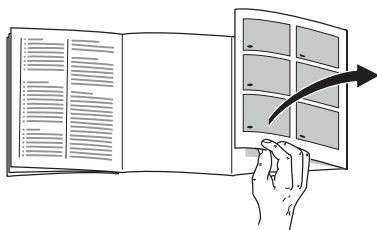
Changing over the door hinges

Before you start the conversion work, pull out the mains plug or remove the fuse.

Attention! Carefully place the appliance on its back.

Install in numerical sequence **Fig. 1**.

Getting to know your appliance



Please fold out the illustrated last page. These operating instructions refer to several models.

The illustrations may differ.

Fig. 3

- 1 Temperature selector/
Interior light
 - 2 Light switch
 - 3 Shelf in the refrigerator
compartment
 - 4 Vegetable container
 - 5 Freezer compartment flap
 - 6 Freezer drawer
 - 7 Height-adjustable feet
 - 8 Butter and cheese compartment
 - 9 Egg rack
 - 10 Shelf for tubes and small tins
 - 11 Shelf for large bottles
- A Refrigerator compartment
B Freezer compartment

Observe room temperature

The appliance is designed for a specific climatic class. Irrespective of the climatic class, the appliance can be operated at the following room temperatures.

The climatic class can be found on the rating plate at the bottom left-hand side in the refrigerator compartment.

Atmosphere grade	Room temperature
SN	+10 °C to 32 °C
N	+16 °C to 32 °C
ST	+18 °C to 38 °C
T	+18 °C to 43 °C

If the room temperature is too cold for your appliance, the refrigerating unit operates less. As a result, the freezer compartment may become too warm. In an extreme case the frozen food may thaw.

Appliances which feature a room temperature switch can be operated at a room temperature of +16 °C to 10 °C when the switch has been switched on. As a result, the refrigerating unit operates more frequently.

To switch on, press the switch, **Fig. 4/1**, mark "O" is no longer visible. The light inside the appliance is lit at a reduced luminosity.

To save energy, switch off the room temperature switch as soon as the room temperature exceeds +16 °C again.

Ventilation

The air on the rear panel of the appliance heats up. The warm air must be able to escape. Otherwise, the refrigerator must work harder. This will increase the power consumption. Therefore: Never cover or block ventilation openings!

Connecting the appliance

After installing the appliance, wait at least ½ hour until the appliance starts up. During transportation the oil in the compressor may have flowed into the refrigeration system.

Before switching on the appliance for the first time, clean the interior (see Cleaning).

The socket should be freely accessible.

Connect the appliance to 220–240 V/ 50 Hz alternating current via a correctly installed earthed socket. The socket must be fused with a 10 A to 16 A fuse.

If the appliance is to be operated in a non-European country, check on the rating plate whether the indicated voltage and current type correspond to the values of your mains supply. The rating plate is situated in the bottom left-hand side of the appliance. The power cord may be replaced by an electrician only.

Switching on the appliance

Rotate temperature selector, **Fig. 4/2**, from controller position “0”.

Interior light is switched on when the door is open.

Selecting the temperature

We recommend storing perishable foods at a temperature not warmer than +4 °C.

When the controller is at a medium setting, the temperature drops to approx. +4 °C in the coldest zone, **Fig. 5**.

A higher setting lowers the temperature in the refrigerator and freezer compartments.

We recommend:

- for short-term storage of food: **low** controller setting (energy-saving mode)
- for long-term storage of food: **medium** controller setting
- set a **high** controller setting only temporarily if: door is opened frequently, large amounts of food are placed in the refrigerator compartment.

Refrigerating capacity

The temperature in the refrigerator compartment may rise temporarily if large amounts of food or a lot of drinks are placed in the refrigerator compartment.

Therefore the temperature controller should be set to a high setting for approx. 7 hours.

Operating tips

The refrigerator compartment temperature drops temporarily:

- by freezing large quantities of fresh food in the freezer compartment.

The refrigerator compartment temperature rises:

- if the appliance door is opened frequently,
- if large quantities of food are placed in the refrigerator compartment,
- if the ambient temperature is high.

Condensation droplets or frost in the refrigerator compartment

While the refrigerating unit is running, beads of condensation or hoarfrost form at the back of the refrigerator compartment. This is quite normal.

It is not necessary to wipe off the condensation or frost. The rear panel defrosts automatically. The condensation runs into the drainage channel **Fig. 6** and then to the refrigerating unit where it evaporates.

Storing food

Note the refrigeration zones in the refrigerator compartment!

The air circulation in the refrigerator compartment produce different refrigerant zones:

• Coldest zones

are on the rear panel inside the compartment and on the lowest shelves. **Fig. 5**

Note: Store perishable food (e.g. fish, sausage, meat) in the coldest zones.

• Warmest zone

is at the very top of the door.

Note: Store e.g. cheese and butter in the warmest zone. When served, the cheese will not have lost its flavour and the butter will be easy to spread.

Please note

Wrap or cover food before placing in the appliance. This will retain the aroma, colour and freshness of the food. Transfer of flavour and discoloration of the plastic parts will also be prevented.

Note:

If required, you can vary the shelves inside the appliance: pull the shelf forwards, lower and swivel out to the side. **Fig. 7.**

We recommend that you arrange the food inside the refrigerator as follows:

- **in the freezer compartment:**
deep-frozen goods, ice-cubes, ice-cream
- **on the shelves in the main refrigerator section** (from the top down): bakery products, ready-to-eat items, dairy products, meat and salami
- **in the vegetable containers:**
vegetables, lettuce, fruit
- **in the door racks** (from the top down):
butter, cheese, eggs, tubes, small bottles, large bottles, milk and fruit-juice cartons.

Usable capacity

Information on the usable capacity can be found inside your appliance on the rating plate.

Special features

(not all models)

Bottle holder

Fig. 8

The bottle holder prevents bottles from falling over when the door is opened and closed.

Drawer for cold meats and cheese

Fig. 9

To remove the drawer, lift and pull out. The holder can be moved.

Freezing and storing frozen food

Purchasing deep-frozen food

Packaging must not be damaged.

Use by the “best-before” date.

Temperature in the supermarket freezer –18 °C or lower.

If possible, transport deep-frozen food in an insulated bag and place quickly in the freezer compartment.

Storing frozen food

- To ensure good air circulation in the appliance, insert the freezer drawers all the way.
- If you want to freeze a large quantity you can take all trays and the freezer compartment flap out of the appliance and stack the food directly on the shelves and freezer compartment floor. To take out frozen food pull out the drawers to the stop and lift them at the front **Fig 10**. You can remove the freezer compartment flap by opening it to the horizontal position **Fig 11**.

Making ice

Warning

Do NOT use an electric ice-cream maker in the freezer compartment.

Making ice cubes

Ice-cube trays are available from specialist outlets.

Fill ice-cube tray $\frac{3}{4}$ full of water and place in the freezer compartment. To loosen the ice cubes, hold ice-cube tray under running water or twist it slightly.

Freezing food

Food should be frozen solid as quickly as possible. To retain vitamins, nutritional value, appearance and flavour, do not exceed max. freezing capacity. If freezing food in the freezer drawers, the max. freezing capacity is reduced slightly.

Keep food which is to be frozen away from food which is already frozen.

To retain the flavour and prevent the food from drying out, pack airtight.

How to wrap food correctly:

The following products are suitable for wrapping food:

plastic film, polyethylene blown film, aluminium foil and freezer tins. These products can be purchased from your dealer.

The following products are not suitable for wrapping food:

wrapping paper, greaseproof paper, cellophane, refuse bags and used shopping bags.

The following products are suitable for sealing the wrapped food:

rubber bands, plastic clips, string, cold-resistant adhesive tape or similar. Bags and polyethylene blown film can be sealed with a film sealer.

Storage duration of the frozen food at medium setting

fish, sausage, ready meals and cakes and pastries	up to 6 months
cheese, poultry, meat	up to 8 months
vegetables, fruit	up to 12 months

Freezing capacity

To use the max. freezing capacity, the room temperature switch should be switched on 24 hours before the food is placed in the freezer compartment.

Fig. 4/1

Information on the max. freezing capacity can be found on the rating plate.

To save energy, switch off the room temperature switch again after 2½ days.

Caution! If the room temperature switch is switched on, the refrigerator compartment may also be cooled more intensely.

Defrosting frozen produce

Depending on the type of food and intended use, frozen produce can be defrosted:

- At room temperature,
- In a refrigerator,
- In an electric oven, with/without fan assisted hot-air,
- In a microwave

Note

Do NOT refreeze food which is beginning to defrost or which has already defrosted. Only food which is subsequently prepared (cooked or fried) may be refrozen.

No longer store the frozen produce for the max. storage period.

Switching off and disconnecting the appliance

Switching off the appliance

- Set the temperature selector to “0”.

Disconnecting the appliance

- Switching off the appliance.
- Pull out the mains plug or switch off the fuse.
- Defrost and clean the appliance.
- Leave the appliance door and freezer-compartment door open.

Defrosting the freezer compartment

Proceed as follows

- Remove the freezer drawers containing the food. Place the ice blocks (if enclosed) on the food. Wrap the frozen food in several sheets of newspaper and store in a cool location.
- Pull out the mains plug or disconnect the fuse.
- Defrost the appliance.
- After defrosting the appliance, wipe up the condensation on the floor of the freezer compartment with a sponge.
- Clean with water and a little washing-up liquid. Clean the door seal with water only and then dry thoroughly.
- Switch on the appliance again.
- Put the frozen food back in the freezer compartment.

Defrosting sprays

Follow the manufacturer's instructions.

Cleaning the appliance

1. **Attention: Pull out the mains plug or switch off the fuse!**
2. Wipe the door seal with clear water only and then wipe dry thoroughly.
3. Clean the appliance with lukewarm water and a little washing-up liquid. The rinsing water must not get into the temperature selector or light, **Fig. 4**.
4. After cleaning: reconnect and switch on the appliance.

Door shelves can be removed for cleaning **Fig. 12**.

Do not use abrasive or acidic cleaning agents and solvents.

Regularly clean the condensation channel and drainage hole, **Fig. 6**, with a cotton bud or similar implement to ensure that the condensation can drain.

The rinsing water must not run through the drain hole into the evaporation pan.

Attention!

Never clean the shelves or containers in the dishwasher. The parts may warp!

Tips for saving energy

- Install the appliance in a cool, well ventilated room, but not in direct sunlight and not near a heat source (radiator, cooker, etc.). Otherwise, use an insulating plate.
- Leave warm food and drinks to cool down first.
- Open the appliance door as briefly as possible.
- Defrost and clean the appliance.
- Occasionally clean the rear of the appliance with a vacuum cleaner or paint brush to prevent an increased power consumption.

Operating noises

Normal noises

Humming – refrigerating unit is running.

Bubbling, gurgling or whirring noises – refrigerant is flowing through the tubing.

Clicking – motor is switching on or off.

Preventing noises

The appliance is not level

Please align the appliance with a spirit level. Use the height-adjustable feet or place something under the feet.

The appliance is not free-standing

Please move the appliance away from adjacent units or appliances.

Drawers or storage areas wobble or stick

Please check the removable parts and, if required, reinsert them.

Bottles or receptacles are touching each other

Please move bottles or receptacles away from each other.

Eliminating minor faults yourself

Before you call customer service:

Please check whether you can eliminate the fault yourself based on the following information.

Customer service will charge you for advice, even if the appliance is still under guarantee!

Fault	Possible cause	Remedial action
Interior light does not function.	The bulb is defective.	Change the bulb. Fig. 13/B <ol style="list-style-type: none"> 1. Pull out the mains plug or disconnect the fuse. 2. Remove bulb cover towards the rear. 3. Change the bulb (replacement bulb, 220–240 V a.c., E14 bulb holder, see defective bulb for wattage).
	The light switch is sticking. Fig. 13/A	Check whether it can be moved.
Refrigerator has no cooling capacity.	The temperature selector is on "0".	Rotate the temperature selector from position "0".
	Power failure; the fuse has been switched off; the mains plug has not been inserted properly.	Check whether the power is on, check the fuses.
Floor of the refrigerator compartment is wet.	The condensation outlet is blocked.	Clean the condensation channel and outlet. Fig. 6 (See Cleaning the appliance)
The temperature in the refrigerator compartment is too cold.	Temperature has been set too low.	Increase the temperature.
The frozen food is thawing.	The room temperature is colder than +16 °C.	Increase the ambient temperature above +16 °C.
	The refrigerating unit starts less often.	If the appliance features a room temperature switch, switch it on (see Observe room temperature).

Customer service

Your local customer service can be found in the telephone directory or in the customer-service index. Please provide customer service with the appliance product number (**E no.**) and production number (**FD no.**).

This information can be found on the product label. **Fig. 14**

To prevent unnecessary call-outs, please assist customer service by quoting the product and production numbers. This will save you additional costs.



Указания по утилизации

Утилизация упаковки

Упаковка защищает Ваш бытовой прибор от транспортных повреждений. Все используемые в качестве упаковки материалы не наносят вреда окружающей среде и пригодны для вторичного использования. Внесите, пожалуйста, свой вклад в дело защиты окружающей среды, сдав упаковку на экологичную утилизацию.

Информацию об актуальных методах утилизации Вы можете получить у Вашего торгового агента или в органах коммунального управления по месту Вашего жительства.

Утилизация старого холодильника

Отслужившие свой срок холодильники нельзя рассматривать как ненужный мусор! Благодаря экологичной утилизации из них удастся получить ценное сырье.

Предупреждение

В случае с отслужившими свой срок холодильниками:

1. Извлеките вилку из розетки.
2. Отрежьте сетевой шнур и уберите его подальше вместе с вилкой.

В холодильной установке содержится хладагент, а в изоляции холодильника – газы, утилизация которых должна быть проведена квалифицированно. Трубки контура, по которому циркулировал хладагент, ни в коем случае не должны быть повреждены до начала утилизации.

Указания по безопасности и предупреждения

Перед вводом холодильника в эксплуатацию

Внимательно прочтите инструкцию по монтажу и эксплуатации!

В ней содержится важная информация по установке, использованию и техобслуживанию холодильника.

Сохраните всю документацию для позднейшего использования или на случай передачи ее следующему владельцу холодильника.

Техническая безопасность

- В холодильнике содержится незначительное количество экологически чистого, но воспламеняющегося хладагента R600a. Следите, пожалуйста, за тем, чтобы при транспортировке или монтаже холодильника не были повреждены трубки контура, по которому циркулирует хладагент. Попавшие наружу брызги хладагента могут воспламениться или вызвать воспаление глаз.

При повреждениях

- не подходите близко к холодильнику с открытым пламенем или какими-либо иными источниками воспламенения,
- хорошо проветрите помещение в течение нескольких минут,
- извлеките вилку из розетки,
- сообщите о повреждениях в сервисную службу.

Чем большее количество хладагента содержится в холодильнике, тем больше должно быть помещение, в котором холодильник установлен. В случае слишком малых помещений при утечке хладагента может образоваться горючая смесь паров хладагента с воздухом.

На каждые 8 г хладагента должен приходиться как минимум 1 м³ помещения.

Количество хладагента, содержащееся в Вашем холодильнике, приведено в типовой табличке, расположенной внутри холодильника.

- Замена сетевого шнура и прочие ремонтные работы должны выполняться только специалистами сервисной службы. Неквалифицированно выполненные установка и ремонт холодильника могут превратить его в источник серьезной опасности для пользователя.

При использовании

- Никогда не включайте внутри холодильника какие-либо другие электроприборы (напр., нагревательные приборы, электрические мороженицы и пр.).

Взрывоопасность!

- Никогда не проводите размораживание или чистку холодильника с помощью пароочистителя! Пар может попасть на электрические детали и вызвать короткое замыкание.

Опасность поражения электрическим током!

- Иней и лед нельзя удалять с помощью предметов с острым концом или острыми краями. Тем самым Вы можете повредить трубки, по которым циркулирует хладагент. Брызги хладагента могут воспламениться или, попав в глаза, вызвать их воспаление.

- Нельзя хранить в холодильнике аэрозольные баллончики с воспламеняющимися газами-вытеснителями и взрывоопасные вещества.

Взрывоопасность!

- Нельзя вставлять или опираться на цокольную панель, выдвижные боксы, двери холодильника и прочие элементы его конструкции.

- Для размораживания и чистки холодильник следует выключить, извлечь вилку из розетки или выключить предохранитель. Вилку следует извлекать за корпус, а не за сетевой шнур.
 - Крепкие спиртные напитки можно хранить в холодильнике только в плотно закрытой, установленной вертикально посуде.
 - Следите за тем, чтобы на пластмассовые детали холодильника и уплотнитель его двери не попадали жиры или масла. Иначе эти детали и уплотнитель могут стать пористыми.
 - Никогда не закрывайте и ничем не загораживайте вентиляционные отверстия электроприбора.
 - Никогда не закрывайте и ничем не загораживайте вентиляционные отверстия электроприбора.
 - В морозильном отделении нельзя хранить жидкости в бутылках или жестяных банках (особенно газированные напитки). Бутылки и банки могут лопнуть!
 - Никогда не берите замороженные продукты из морозильного отделения сразу в рот.
- ### **Опасность обморожения!**
- Избегайте продолжительного контакта рук с замороженными продуктами, льдом или трубками испарителя и т. д.
- ### **Опасность обморожения!**

Если дома есть дети

- Упаковку и ее составные части нельзя отдавать детям. Не исключена опасность удушья, которой дети подвергаются, закрывшись в картонной коробке или запутавшись в полиэтиленовой пленке!
- Холодильник – это не игрушка для детей!
- Для холодильника с дверным замком: храните ключ от замка в недоступном для детей месте!

Общие определения

Холодильник предназначен

- для охлаждения и замораживания продуктов питания,
- приготовления пищевого льда.

Холодильник предназначен для использования в домашнем хозяйстве.

Согласно требованиям ГОСТ Р 51318.14.1-99, ГОСТ Р 51318.14.2-99, ГОСТ Р 51317.3.2-99, ГОСТ Р 51317.3.3-99 холодильник при работе не создает помех радиоприему.

Контур циркуляции хладагента проверен на герметичность.

Данный холодильник отвечает соответствующим требованиям Предписаний по технике безопасности для электрических приборов ГОСТ Р МЭК 60335-2-24.

Перед подключением

Установка холодильника

Для установки холодильника подходит сухое, хорошо проветриваемое помещение. Проследите за тем, чтобы на холодильник не попадали прямые солнечные лучи. Кроме того, он не должен находиться в непосредственной близости от таких источников тепла, как, например, электроплита, радиатор отопления и пр. Если этого не удастся избежать, то следует воспользоваться подходящей плитой из изолирующего материала или расположить холодильник на следующем минимальном расстоянии до источника тепла:

до электроплиты 3 см,
до плиты на жидком топливе или угле 30 см.

Если холодильник устанавливается рядом с другим холодильником или морозильником, то для предотвращения образования конденсата следует обеспечить между ними минимальное расстояние 2 см.

Выравнивание холодильника

Рисунок 2

Холодильник должен стоять ровно и устойчиво. Неровности пола следует скомпенсировать с помощью обеих передних винтовых ножек.

Изменение направления открывания дверцы

Перед началом реконструкции извлеките вилку из розетки или выключите предохранитель.

Внимание! Осторожно положите холодильник на заднюю сторону.

Выполняйте монтаж в последовательности, определяемой цифрами на. **Рисунке 1**

Знакомство с холодильником



Откройте, пожалуйста, последнюю страницу с рисунками. Данная инструкция по эксплуатации действительна для нескольких моделей холодильников. Поэтому на рисунках возможны некоторые отличия.

Рисунок 3

- 1 Регулятор температуры/
внутреннее освещение
 - 2 Выключатель освещения
 - 3 Полки в холодильном
отделении
 - 4 Бокс для овощей и фруктов
 - 5 Крышка морозильного
отделения
 - 6 Бокс для замороженных
продуктов
 - 7 Винтовые ножки
 - 8 Отделение для масла и сыра
 - 9 Полка для яиц
 - 10 Полка для тубиков
и маленьких баночек
 - 11 Полка для больших бутылок
- A** Холодильное отделение
B Морозильное отделение

Температура окружающей среды

Холодильник относится к определенному климатическому классу. В зависимости от климатического класса холодильник может эксплуатироваться при указанных ниже значениях температуры окружающей среды.

Климатический класс указан в типовой табличке холодильника, которая расположена в холодильном отделении слева внизу.

Климатический класс	Температура окружающей среды
SN	от +10 °С до 32 °С
N	от +16 °С до 32 °С
ST	от +18 °С до 38 °С
T	от +18 °С до 43 °С

Если температура окружающей среды слишком низкая для холодильника, то холодильный агрегат работает не на полную мощность. В результате в морозильном отделении может стать слишком «тепло». В экстремальных случаях замороженные продукты могут разморозиться.

Холодильники, оснащенные выключателем компенсации температуры окружающей среды, могут после нажатия на этот выключатель работать при температуре окружающей среды от +16 °С до +10 °С. В результате холодильный агрегат включается чаще.

Для включения компенсации нажмите на выключатель, **рисунок 4/1**, маркировка «0» больше не будет видна. В холодильнике тускло светится лампочка внутреннего освещения.

В целях экономии электроэнергии функцию компенсации температуры окружающей среды следует выключать путем нажатия выключателя сразу после того, как температура воздуха в помещении снова поднялась выше +16 °С.

Вентиляция

У задней стенки холодильника воздух нагревается. Нагретый воздух должен иметь возможность беспрепятственно удаляться. Иначе холодильный агрегат должен будет работать с повышенной нагрузкой. А это повышает расход электроэнергии. Поэтому: никогда не закрывайте и ничем не загораживайте вентиляционные отверстия холодильника!

Подключение холодильника

После установки холодильника следует подождать как минимум полчаса. Во время транспортировки холодильника имеющееся в компрессоре масло могло попасть в систему охлаждения.

Перед вводом холодильника в эксплуатацию в первый раз следует почистить его внутри (смотрите раздел «Чистка»).

Электрическая розетка должна быть легко доступна.

Холодильник следует подключать к сети переменного тока с параметрами 220–240 В/50 Гц через установленную согласно предписаниям розетку с защитным контактом. Электрическая розетка должна быть защищена предохранителем, рассчитанным на ток 10 А – 16 А.

В случае с холодильниками, которые будут эксплуатироваться в неевропейских странах, необходимо проследить, чтобы значение напряжения и вид тока, приведенные на типовой табличке, совпадали с параметрами Вашей электросети. Типовая табличка расположена внутри холодильника слева внизу. Если возникнет необходимость в замене сетевого шнура, то эта замена должна быть произведена квалифицированным специалистом.

Включение холодильника

Выведите регулятор температуры, **рисунок 4/2**, из положения «0». Внутреннее освещение холодильника включается при открывании его дверцы.

Установка температуры

Скоропортящиеся продукты питания рекомендуется хранить при температуре не выше +4 °С.

Если регулятор температуры находится в среднем положении, то в самом холодном месте холодильного отделения, **рисунок 5**, устанавливается температура +4 °С.

Чем больше установочное значение, тем холоднее в холодильном и морозильном отделениях.

Мы рекомендуем:

- для кратковременного хранения продуктов питания: устанавливайте регулятор на **меньшее** значение (экономичный режим работы),
- для продолжительного хранения продуктов питания: устанавливайте регулятор на **среднее** значение,
- на **большее** значение регулятор следует устанавливать лишь на короткое время: при частом открывании дверцы, при загрузке в холодильное отделение большого количества свежих продуктов питания.

Производительность охлаждения

В результате загрузки большого количества продуктов питания или напитков температура в холодильном отделении может на время повыситься.

Поэтому регулятор температуры следует установить примерно на 7 часов на большое значение.

Указания по эксплуатации

В холодильном отделении становится на время холоднее:

- из-за замораживания большого количества свежих продуктов питания в морозильном отделении.

В холодильном отделении становится теплее:

- из-за частого открывания дверцы холодильника,
- в результате загрузки большого количества продуктов питания,
- из-за высокой температуры окружающей среды.

Капли талой воды или иней на стенках холодильного отделения

Во время работы холодильной установки на задней стенке холодильного отделения образуются капли талой воды. Это обусловлено конструктивными особенностями холодильника.

Вам не нужно стирать капли воды или соскребать иней. Задняя стенка оттаивает автоматически. Талая вода собирается в сливном желобке. **Рисунок 6** По этому желобку вода стекает в холодильный агрегат, где она и испаряется.

Размещение продуктов питания

Обратите внимание на различные температурные зоны в холодильном отделении!

Из-за циркуляции воздуха в холодильном отделении возникают различные температурные зоны:

- **Зона самой низкой температуры** находится у задней стенки холодильного отделения и на самых нижних его полках. **Рисунок 5**

Рекомендация: в месте наиболее сильного охлаждения следует хранить скоропортящиеся продукты питания (например, рыбу, колбасу, мясо).

- **Зона самой высокой температуры** находится в самой верхней части дверцы.

Рекомендация: в этом месте лучше всего хранить, например, сыр и масло. До подачи на стол сыр сохраняет свой аромат, а масло остается мягким.

На что обратить внимание при размещении продуктов

Продукты питания следует хранить в плотной упаковке или в закрытой посуде. В результате останутся неизменными аромат, цвет и свежесть продуктов. Кроме того, удастся избежать изменения вкуса продуктов в результате их соприкосновения друг с другом, а также изменения цвета пластмассовых деталей холодильника.

Указание:

Полки, расположенные внутри холодильника, можно при необходимости переставить в другое место: потяните за полку по направлению вперед, опустите ее и извлеките ее сбоку.

Рисунок 7.

Мы рекомендуем располагать продукты питания следующим образом:

- **В морозильном отделении:** замороженные продукты, кубики пищевого льда, мороженое.
- **На полках:** в холодильном отделении (сверху вниз): мучные изделия, готовые блюда, молочные продукты, мясо и колбасу.
- **В боксе для овощей:** овощи, листовая салат, фрукты.
- **На дверных полках:** (сверху вниз): масло, сыр, яйца, различные тубики, маленькие бутылочки, большие бутылки, молоко, пакеты с соком.

Полезный объем

Данные, касающиеся полезного объема, Вы сможете найти внутри холодильника в его типовой табличке.

Специальное оснащение

(не во всех моделях)

Держатель для бутылок

Рисунок 8

Держатель для бутылок препятствует их опрокидыванию при открывании и закрывании дверцы холодильника.

Выдвижной контейнер для колбасы и сыра

Рисунок 9

Чтобы продукты было удобнее загружать и выгружать, контейнер можно извлечь из холодильника. Для этого контейнер следует приподнять. Держатель контейнера можно передвигать вдоль полки.

Замораживание и хранение продуктов

Покупка замороженных продуктов

Упаковка продуктов не должна быть поврежденной.

Срок годности не должен быть превышен.

Температура в морозильнике, в котором хранятся продукты в магазине, должна быть -18°C или ниже.

Замороженные продукты лучше всего транспортировать в сумке из изолирующего материала и дома как можно быстрее положить их в морозильное отделение холодильника.

Хранение замороженных продуктов

- Чтобы обеспечить безупречную циркуляцию воздуха в холодильнике, задвигайте боксы для замороженных продуктов внутрь до упора.

- Если в морозильное отделение необходимо загрузить очень большое количество продуктов питания, то можно извлечь все боксы и крышку морозильного отделения и положить продукты прямо на полки и дно морозильного отделения.

Для извлечения бокс следует выдвинуть наружу до упора, приподнять спереди и затем полностью извлечь из холодильника. **Рисунок 10**

Откройте крышку морозильного отделения, в горизонтальном положении приподнимите ее и затем снимите. **Рисунок 11**

Приготовление пищевого льда

Внимание:

В морозильное отделение нельзя класть электрические приспособления для приготовления льда.

Приготовление кубиков льда

Ванночки для приготовления кубиков льда можно приобрести в специализированном магазине.

Наполните ванночку на $\frac{3}{4}$ водой и поставьте ее в морозильное отделение. Для того чтобы извлечь кубики льда из ванночки, ее следует немного подержать в проточной воде или слегка изогнуть.

Замораживание продуктов питания

Продукты питания должны как можно скорее промерзнуть до самой середины. Чтобы сохранились витамины, внешний вид и вкус свежих продуктов, не следует превышать максимальную производительность замораживания. При замораживании в боксах максимальная производительность замораживания уменьшается лишь незначительно.

Постарайтесь, чтобы предназначенные для замораживания свежие продукты питания не соприкасались с уже замороженными продуктами.

Чтобы вкус продуктов не изменялся, и продукты не высыхали, их следует герметично упаковать.

Как правильно упаковать продукты:

В качестве упаковки можно использовать:

пленку из различных синтетических материалов, рукава из полиэтиленовой пленки, алюминиевую фольгу, специальные емкости для замораживания продуктов.

Всю эту продукцию Вы найдете в специализированных магазинах.

В качестве упаковки нельзя использовать:

упаковочную или пергаментную бумагу, целлофан, мешки для мусора, использованные полиэтиленовые пакеты.

Для закрывания упаковки можно использовать:

резиновые кольца, пластмассовые зажимы, шпагат, морозостойкую клейкую ленту и пр. Мешки и рукава из полиэтиленовой пленки можно заварить с помощью специального сварочного аппарата.

Допустимые сроки хранения замороженных продуктов

при установке регулятора в среднее положение

рыба, колбаса, готовые блюда, хлебо-булочные изделия	до 6 месяцев
--	--------------

сыр, птица, мясо	до 8 месяцев
------------------	--------------

овощи, фрукты	до 12 месяцев
---------------	---------------

Производительность замораживания

Чтобы можно было воспользоваться макс. производительностью замораживания, за 24 часа до загрузки свежих продуктов питания необходимо включить функцию компенсации температуры окружающей среды, нажав на выключатель.

Рисунок 4/1

Данные относительно макс. производительности замораживания Вы сможете найти в типовой табличке.

Для экономии электроэнергии через два с половиной дня следует снова выключить функцию компенсации температуры окружающей среды, нажав на соответствующий выключатель.

Внимание! Если включена функция компенсации температуры окружающей среды, то и в холодильном отделении может также стать прохладнее.

Размораживание замороженных продуктов

В зависимости от вида продуктов и их дальнейшего использования можно выбрать один из следующих методов размораживания:

- при комнатной температуре,
- в холодильнике,
- в электрическом духовом шкафу, с конвекцией горячего воздуха или без нее,
- в микроволновой печи.

Указание

Подтаявшие или полностью размороженные продукты не следует снова замораживать. Только после переработки продуктов (путем варки или жарения) готовое блюдо можно заморозить.

Но хранить готовые блюда уже нельзя так долго, как продукты, из которых они были приготовлены.

Выключение и вывод холодильника из эксплуатации

Выключение холодильника:

- Регулятор температуры установите на «0».

Вывод холодильника из эксплуатации:

- Выключение холодильника.
- Вытащите вилку из розетки или выключите предохранитель,
- холодильник разморозьте и тщательно почистите,
- оставьте дверцы холодильного и морозильного отделений открытыми.

Размораживание морозильного отделения

Поступайте следующим образом

- Извлеките из морозильного отделения боксы с замороженными продуктами. Если в комплекте поставки холодильника имелись аккумуляторы холода, то положите их на продукты. Заверните замороженные продукты в несколько слоев газетной бумаги и поместите их в прохладное место.
- Вытащите вилку из розетки или выключите предохранитель.
- Разморозьте морозильное отделение.
- После размораживания соберите губкой воду на дне морозильного отделения.
- Проведите чистку морозильного отделения с использованием слабого водного раствора средства для мытья посуды вручную. Уплотнитель двери следует протереть лишь тряпкой, смоченной в чистой воде, и затем вытереть насухо.
- Снова включите холодильник.
- Загрузите в морозильное отделение замороженные продукты.

Аэрозоли для ускорения размораживания

Руководствуйтесь указаниями производителей этих средств.

Чистка холодильника

1. **Внимание! Извлеките вилку из розетки или выключите предохранитель!!**
2. Уплотнитель дверцы холодильника следует лишь протереть тряпкой, смоченной в чистой воде, и затем тщательно вытереть его насухо.
3. Проводите чистку холодильника с использованием теплой воды, добавив в нее немного средства для мытья посуды вручную. Следите за тем, чтобы вода, используемая для чистки, не попала в регулятор температуры или систему освещения.

Рисунок 4

4. После чистки снова подключите холодильник к сети и включите его.

Полочки, расположенные на дверце холодильника, можно снять для удобства чистки. **Рисунок 12**

Не пользуйтесь абразивными и кислотосодержащими чистящими средствами, а также растворителями.

Чтобы талая вода могла беспрепятственно стекать, регулярно прочищайте желобок и отверстие для ее слива, **рисунок 6**, с помощью палочки или чего-либо подобного.

Вода, используемая для чистки, не должна попадать через сливное отверстие в испарительный поддон.

Внимание!

Никогда не мойте полки и контейнеры холодильника в посудомоечной машине. Они могут деформироваться!

Как сэкономить электроэнергию

- Холодильник следует устанавливать в сухом, хорошо проветриваемом помещении. Он не должен стоять на солнце или вблизи от источника тепла (например, радиатора отопления, электроплиты). При необходимости воспользуйтесь изолирующей плитой.
- Горячие блюда и напитки перед закладыванием в холодильник следует охладить.
- Закрывайте дверцу холодильника как можно скорее.
- Проведите размораживание и чистку холодильника.
- Во избежание повышенного потребления электроэнергии заднюю стенку холодильника следует время от времени чистить пылесосом или кисточкой.

Рабочие шумы

Совершенно нормальные шумы

Гудение – работает холодильный агрегат,

Бульканье или **жужжание** – хладагент течет по трубкам.

Щелчки – двигатель включается или выключается.

Устранение посторонних шумов

Холодильник стоит неровно

Выровняйте, пожалуйста, холодильник с помощью ватерпаса. Для этого отрегулируйте по высоте винтовые ножки или подложите что-нибудь под них.

Прибор «зажат»

Отодвиньте его, пожалуйста, от расположенной рядом мебели или других приборов.

Полки или контейнеры качаются или их заклинило

Проверьте, пожалуйста, как установлены съемные детали, и при необходимости расположите их правильно.

Бутылки или прочие емкости прикасаются друг к другу

Немного отодвиньте, пожалуйста, бутылки или емкости друг от друга.

Самостоятельное устранение мелких неисправностей

Прежде чем вызвать Службу сервиса:

проверьте, не сможете ли Вы устранить неполадки самостоятельно с помощью приведенных ниже рекомендаций.

Вызов специалистов Службы сервиса для консультации Вам придется оплачивать даже во время гарантийного периода.

Неисправность	Возможная причина	Устранение
Внутреннее освещение не функционирует.	Перегорела лампочка накаливания.	Замените лампочку. Рисунок 13/В <ol style="list-style-type: none">1. Извлеките вилку из розетки или выключите предохранитель.2. Снимите плафон лампы по направлению назад.3. Замените лампочку (параметры запасной лампочки: 220–240 В, переменный ток, цоколь E14, мощность в Ваттах посмотрите на перегоревшей лампочке).
	Выключатель освещения заклинило. Рисунок 13/А	Попробуйте подвигать выключатель.
Холодильник не холодит.	Регулятор температуры установлен на «0».	Регулятор температуры следует вывести из положения «0».
	Отключили электроэнергию; выключен предохранитель; вилка болтается в розетке.	Посмотрите, есть ли электроэнергия, проверьте предохранители.

Неисправность	Возможная причина	Устранение
На дне холодильного отделения вода.	Засорилось отверстие для слива талой воды.	Проведите чистку желобка и отверстия для слива талой воды. Рисунок 6 (Смотрите раздел «Чистка холодильника»)
Температура в холодильном отделении слишком низкая.	Установлена слишком низкая температура.	Установите более высокую температуру.
Замороженные продукты подтаивают.	Температура окружающей среды ниже +16 °С. Холодильный агрегат включается реже.	Нагрейте помещение до температуры выше +16 °С. В случае с холодильниками, оснащенными выключателями компенсации температуры окружающей среды, следует нажать на этот выключатель (смотрите раздел «Температура окружающей среды»).

Служба сервиса

Адрес ближайшей Службы сервиса Вы можете найти в телефонной книге или перечне адресов Служб сервиса. При вызове специалистов называйте, пожалуйста, номер изделия (E-Nr.) и заводской номер (FD) Вашего холодильника.

Эти номера приведены в типовой табличке холодильника. **Рисунок 14**

Помогите, пожалуйста, избежать ненужных выездов специалистов Службы сервиса, правильно назвав номер изделия и заводской номер Вашего холодильника. В результате у Вас не будет лишних расходов.

Рекомендації з утилізації

Утилізація упаковки

Упаковка захищає Ваш прилад від пошкоджень під час транспортування. Всі використані для упаковки матеріали – нешкідливі для навколишнього середовища і можуть використовуватися повторно. Будь ласка, підтримайте нас: утилізуйте упаковку у відповідності із екологічними нормами.

За інформацією про актуальні шляхи утилізації зверніться, будь ласка, до спеціалізованих підприємств по переробці відходів.

Утилізація старого приладу

Старі прилади – це не просто відходи!

Шляхом екологічної утилізації із них можна отримати знову цінну сировину.

Застереження

Для приладів, які вийшли із експлуатації

1. Витягніть штепсельну вилку.
2. Переріжте електропровід і викиньте його разом із штепсельною вилкою.

Холодильники містять холодильні засоби і гази в ізоляції. Холодильні засоби та гази підлягають спеціалізованій утилізації. Слідкуйте за тим, щоб труби системи холодної циркуляції не були пошкоджені до належної утилізації.

Рекомендації з дотримання безпеки та застереження

Перед початком експлуатації приладу

Прочитайте уважно інструкцію з експлуатації та установки! Інструкція містить важливу інформацію про установку, експлуатацію приладу та догляд за ним.

Зберігайте всю документацію для майбутнього використання або для наступного власника приладу.

Технічна безпека

- Даний прилад містить в незначній кількості горючий холодильний засіб R600a з високою екологічною сумісністю. Під час транспортування та установки слід пильнувати, щоб труби системи холодильної циркуляції не були пошкоджені. Бризки холодильного засобу можуть призвести до пошкоджень очей або зайнятися.

У разі пошкодження

- уникайте відкритого вогню та джерел займання,
- декілька хвилин провітріть добре приміщення,
- витягніть штепсельну вилку,
- проінформуйте службу сервісу.

Чим більше холодильного засобу у приладі, тим більшим повинно бути приміщення, де стоїть прилад. У замалих приміщеннях у разі нещільності може утворитися горюча суміш із газу та повітря.

На 8 г холодильного засобу повинно приходиться принаймні 1 м³ приміщення. Кількість холодильного засобу в Вашому приладі вказана на табличці з технічними даними всередині приладу.

- Заміна електропроводу та інші технічні ремонтні роботи дозволяється виконувати лише службі сервісу. Неналежним чином виконані установка та ремонтні роботи можуть створити значну небезпеку для користувача.

Під час експлуатації

- Ні в якому разі не використовуйте усередині приладу електроприлади (напр., нагрівальні прилади, електроприлади для приготування морозива і т.п.) **Небезпека вибуху!**

- Ні в якому разі не використовуйте для чистки або розмороження очисну машину з паром! Пара може потрапити на електричні деталі та спричинити коротке замикання.

Небезпека удару струмом!

- Не користуйтеся для зіскоблювання нашарувань паморозі та льоду гострими чи заточеними предметами.
- Не зберігайте в приладі продукти з горючими газами (напр., розпилювачі) та вибухові речовини.

Небезпека вибуху!

- Цоколь, висувні елементи, дверцята і т.д. не використовуйте поза призначенням – не спи-райтесь і не ставайте на них.
- Перед розморожуванням та чистою вимкніть прилад, витягніть штепсельну вилку із розетки або вимкніть запобіжник. Витягніть вилку, тримаючи її за корпус головки, із розетки; не тягніть ні в якому разі за електрокабель.

- Високопроцентний алкоголь слід зберігати лише щільно закритим і у вертикальному положенні.
- Не допускайте потрапляння олії та жиру на пластмасові деталі і ущільнення дверцят. Вони можуть стати пористими. вони можуть стати пористими.
- Ні в якому разі не прикривайте і не заставляйте отвори приладу для циркуляції повітря.
- Не зберігайте в морозильній камері пляшки та банки з рідиною (зокрема напої з вуглекислою). Пляшки і банки можуть лопнути!
- Не кладіть до роту заморожені продукти безпосередньо після виймання із морозильної камери.

Небезпека опіку від обмороження!

- Уникайте тривалого контакту рук із замороженими продуктами, льодом або трубами випарника тощо.

Небезпека опіку від обмороження!

- Ні в якому разі не зіскоблюйте паморозь чи примерзлі продукти ножем або іншим гострим предметом. Ви можете пошкодити труби із холодильним засобом. Бризки холодильного засобу можуть зайнятися або призвести до пошкоджень очей.

Діти в домашньому господарстві

- Не дозволяйте дітям гратися з упаковкою та її частинами. Складні картонні коробки та плівки можуть спричинити задушення!
- Прилад – не іграшка для дітей!
- Для приладу з замком для дверей: тримайте ключ подалі від дітей!

Загальні положення

Прилад придатний

- для охолодження та замороження продуктів харчування,
- для приготування льоду.

Прилад призначений лише для використання в домашньому господарстві.

Прилад відповідає вимогам електромагнітної сумісності Директиви ГОСТ Р 51318.14.1-99, ГОСТ Р 51318.14.2-99, ГОСТ Р 51317.3.2-99, ГОСТ Р 51317.3.3-99.

Щільність системи холодильної циркуляції перевірена.

Даний виріб відповідає відповідним Вимогам з безпеки електричних приладів ГОСТ Р МЭК 60335-2-24.

Перед підключенням

Установка приладу

Для установки підходить сухе, провітрюване приміщення. На місце установки не повинні потрапляти прямі сонячні промені; поблизу не повинні знаходитися джерела тепла, як наприклад, плита, радіатор тощо:

До електроплит – 3 см.
До плит, які працюють на рідкому паливі або вугіллі, – 30 см.

При установці поряд із іншим холодильником або морозильником слід дотримуватися мінімальної відстані між приладами 2 см, щоб запобігти утворенню конденсату.

Вирівнювання приладу

Малюнок 2

Прилад повинен стояти стійко та рівно. Нерівності підлоги вирівнюються регулюванням обох передніх гвинтових ніжок.

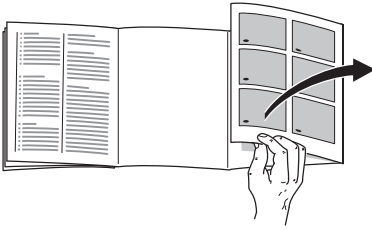
Зміна сторони кріплення дверцят

Перед початком робіт, витягніть із розетки штепсельну вилку або вимкніть запобіжник.

Увага! Покладіть прилад обережно на бік.

Робочі етапи в порядку нумерації **Малюнок 1**.

Ознайомлення з приладом



Розгорніть будь ласка останні сторінки з малюнками. Дана інструкція з експлуатації дійсна для декількох моделей.

Можливі розбіжності у зображенні окремих деталей.

Малюнок 3

- 1 Терморегулятор/
Внутрішнє освітлення
- 2 Вимикач світла
- 3 Полочки холодильної камери
- 4 Контейнер для овочів
- 5 Кришка морозильної камери
- 6 Висувний ящик для
заморожених продуктів
- 7 Гвинтові ніжки
- 8 Контейнер для масла та сиру
- 9 Контейнер для яєць
- 10 Полочка для тубіків
та невеликих банок
- 11 Підставка для великих пляшок

A Морозильна камера

B Холодильна камера

Зверніть увагу на температуру навколишнього середовища

Прилад розроблений для певного кліматичного класу. В залежності від кліматичного класу прилад може експлуатуватися при наступних температурах навколишнього середовища.

Кліматичний клас зазначений на таблиці з технічними даними, яка знаходиться в холодильній камері знизу ліворуч.

Кліматичний клас	Температура навколишнього середовища
SN	+10 °C до 32 °C
N	+16 °C до 32 °C
ST	+18 °C до 38 °C
T	+18 °C до 43 °C

Якщо температура навколишнього середовища для Вашого приладу занадто холодна, то холодильний агрегат працює на меншу потужність. Внаслідок цього температура в морозильній камері може занадто підвищитися. В крайньому випадку заморожені продукти можуть розморозитися.

Прилади із регулятором температури можуть працювати після ввімкнення регулятора при температурі навколишнього середовища від +16 °С до 10 °С. Холодильний агрегат внаслідок цього працює частіше.

Для ввімкнення натиснути перемикач. **Малюнок 4/1**
Позначку «0» не видно. Внутрішнє освітлення в приладі приглушене.

Для заощадження електроенергії вимкніть регулятор температури, як тільки температура навколишнього середовища підніметься знову вище +16 °С.

Вентиляція

Повітря за спинкою приладу нагрівається. Нагріте повітря повинно мати можливість виходити без перешкод. В протилежному випадку холодильний агрегат мусить працювати на більшу потужність, що підвищує витрату електроенергії. Тому, ні в якому разі, не затуляйте отворів для циркуляції повітря!

Підключення приладу

Після установки приладу слід зачекати принаймні ½ години до початку його експлуатації. Під час транспортування масло із компресору могло переміститися в систему охолодження.

Перед початком першої експлуатації прилад слід почистити всередині (дивіться Чистка).

Штепсельна розетка повинна знаходитися у вільнодоступному місці.

Прилад підключати лише до перемінного струму 220–240 V/50 Hz через установлену згідно вказівок штепсельну розетку. Розетка повинна бути захищена запобіжником 10 А до 16 А або вище.

У разі використання приладу в країнах поза межами Європи слід перевірити на таблиці з технічними даними, чи відповідають задана напруга в мережі та вид струму даним Вашої електромережі.

Табличка з технічними даними знаходиться у приладі з лівої сторони знизу. Заміна проводки для підключення в мережу, у разі потреби, виконується лише фахівцем.

Ввімкнення приладу

Терморегулятор - **малюнок 4/2** – переключити з позиції "0" на іншу.

Внутрішнє освітлення при відкритих дверцятах включене.

Установка температури

Для нетривких продуктів ми рекомендуємо температуру зберігання не вище +4 °С.

При середній установці регулятора досягається прибіл. +4 °С у найхолоднішій зоні – **малюнок 5**.

Чим вище показник, тим нижче температура в холодильній та в морозильній камерах.

Ми рекомендуємо:

- для короткочасного зберігання харчових продуктів: **мала** установка регулятора (експлуатація з заощадженням енергії)
- для тривалого зберігання харчових продуктів: установити терморегулятор на **середньому** показнику
- установлюйте регулятор на **високому** показнику лише тимчасово при частому відчиненні дверцят, закладанню великої кількості продуктів до холодильної камери.

Потужність охолодження

Температура в холодильній камері може тимчасово підвищитися внаслідок завантаження великої кількості продуктів чи напоїв.

Тому терморегулятор слід установити на вищому показнику на прибіл. 7 годин.

Рекомендації з експлуатації

Температура в холодильній камері тимчасово знижується:

- в результаті заморожування великої кількості свіжих продуктів у морозильній камері.

Підвищується температура в холодильній камері:

- в результаті частого відчинення дверцят приладу,
- в результаті завантаження великої кількості продуктів
- внаслідок високої температури в навколишнього середовища.

Краплі талої води або паморозь у холодильному відділенні

Під час роботи холодильного агрегату на задній стінці холодильної камери утворюються водяні краплі або паморозь. Це обумовлено функціональними особливостями.

Витирати водяні краплі або паморозь не потрібно. Задня стінка відтає автоматично. Тала вода витікає до стоку – **Малюнок 6**. Із стоку тала вода відводиться до холодильного агрегату, де вона випаровується.

Розміщення продуктів харчування

Звертайте увагу на зони охолодження у холодильній камері!

Внаслідок циркуляції повітря в холодильній камері утворюються зони із різними рівнями холоду:

- **Найхолодніша зона** знаходиться на задній спинці всередині та на нижніх полицках. **Малюнок 5**

Вказівка: Зберігайте в найхолодніших зонах нетривкі продукти, (напр. риба, ковбаса, м'ясо).

- **Найтепліша зона** знаходиться на дверцятах зверху.

Вказівка: Зберігайте в найтеплішій зоні, напр., сир та масло. При подачі на стіл сир зберігає свій аромат, масло залишається м'яким.

При розміщенні продуктів зверніть увагу на наступне

Продукти харчування класти найкраще в упакованому вигляді або щільно закритими. Це допоможе зберегти аромат, колір та свіжість.

Крім того, це запобігає перейманню смакових властивостей одного продукту іншими та забарвленню пластмасових елементів.

Зауваження:

Ви можете переставляти полицки всередині за потребою: потягніть полицку до себе, нахиліть вниз та вийміть збоку. **Малюнок 7**

Ми рекомендуємо розміщувати продукти наступним чином:

- **В холодильна камера:** швидкозаморожені продукти, лід та морозиво
- **На полицках** в холодильній камері (зверху вниз): випечені вироби, готові страви, молочні продукти, м'ясо та ковбаса
- **В овочевому контейнері:** овочі, салат, фрукти
- **В дверцятах** (зверху вниз): масло, сир, яйця, тюбики, малі та великі пляшки, молоко, пакети із соком.

Місткість

Дані про місткість Ви знайдете на табличці з технічними даними на Вашому приладі.

Спеціальне оснащення

(не в усіх моделях)

Тримач для пляшок Малюнок 8

Тримач для пляшок запобігає хитанню пляшок під час відчинення та зачинення дверцят.

Висувний ящик для ковбаси та сира

Малюнок 9

Висувний ящик можна виймати для закладання та виймання продуктів. Для цього ящик слід підняти. Кріплення висувного ящика довільне.

Заморожування та зберігання продуктів

На що слід звернути увагу при купівлі швидкозаморожених продуктів

Слідкуйте за тим, щоб упаковка не була пошкоджена.

Зверніть увагу на термін зберігання.

Індикатор температури морозильної шафи в магазині повинен показувати -18°C або нижче.

Заморожені продукти слід перевозити по можливості в сумці-термосі та якнайшвидше покласти до морозильної камери.

Зберігання заморожених продуктів

- Для бездоганної циркуляції повітря в приладі важливо задвинути ящики для заморожених продуктів до упору.
- якщо потрібно завантажити велику кількість продуктів харчування, тоді можна вийняти всі бокси для заморожених продуктів та кришку морозильної камери із приладу й скласти продукти безпосередньо на опорному риштуванні та низу морозильної камери.

Бокси, щоб вийняти, витягнути до упору, підняти спереду і вийняти **Малюнок 10**.

Кришку морозильної камери відкрити і, тримаючи вертикально, потягнути наверх й зняти **Малюнок 11**.

Приготування льоду

Увага!

Не використовуйте в морозильній камері електричних машин для приготування льоду.

Приготування кубиків льоду

Ванночки для льоду продаються в спеціалізованих торгових точках.

Покладіть ванночку для льоду, заповнену на $\frac{3}{4}$ водою, до морозильної камери. Щоб вийняти заморожені кубики льоду із ванночки, опустіть її на короткий час під проточну воду або злегка перегніть.

Замороження продуктів

Продукти харчування повинні якомога швидше проморозитися до самої середини. Щоб зберегти вітаміни, поживні речовини, вигляд та смак, слід не перевищувати макс. потужності заморожування. У разі заморожування в боксах для заморожених продуктів макс. потужність заморожування зменшується незначним чином.

Заморожені продукти не повинні торкатися продуктів, які Ви щойно поклали для заморожування.

З метою збереження смакових властивостей та запобігання втрати вологи, упакуйте продукти так, щоб не проникло повітря.

Правильна упаковка:

Для упаковки придатні:

пластикові плівки, трубочата плівка із поліетилену, алюмінієва фольга, бокси для заморожування. Ви можете придбати ці товари в спеціалізованій торгівлі.

Для упаковки непридатні:

пакувальний папір, пергаментний папір, целофан, сміттєві мішки, використані пакети для покупок.

Для закриття упаковки придатні:

гумові кільця, пластмасові затискачі, нитки, стійкі до холоду клейкі стрічки та подібне. Мішки й трубочата плівка із поліетилену можуть закриватися за допомогою приладу для термосклеювання плівок.

Термін зберігання заморожених продуктів

при середній установці

риба, ковбаса,	до 6 місяців
готові страви,	
випечені вироби	

сир, птиця, м'ясо	до 8 місяців
-------------------	--------------

овочі, фрукти	до 12 місяців
---------------	---------------

Потужність заморожування

Щоб скористатися макс. потужністю заморожування, ввімкніть за 24 години перед завантаженням продуктів регулятор температури.

Малюнок 4/1

Дані про макс. потужність заморожування Ви знайдете на табличці з технічними даними.

Вимкніть регулятор температури через 2½ доби, щоб заощадити електроенергію.

Увага! При ввімкненому регуляторі температури сильніше охолоджуватися може також холодильна камера.

Розмороження заморожених продуктів

В залежності від виду та призначення, можна вибрати одну із наступних можливостей:

- при кімнатній температурі
- в холодильнику
- в електричній духовці з тепловою вентиляцією або без
- в мікрохвильовій печі.

Зауваження

Повністю або частково розморожені продукти не заморожуйте знову. Заморожувати продукти знову можна лише після їх переробки до готових страв (у звареному або жареному вигляді).

Заморожені продукти слід вжити до закінчення макс. строку зберігання.

Вимкнення та зупинка роботи приладу

Прилад вимкнути

- Установіть терморегулятор на "0".

Зупинка роботи приладу

- Прилад вимкнути.
- Витягніть штепсельну вилку із розетки або вимкніть запобіжник.
- Розморозьте та почистіть прилад.
- Залишіть відкритими дверцята приладу та дверцята морозильної камери.

Розморозжування морозильної камери

Виконайте наступне

- Вийміть бокси з замороженими продуктами. Акумулятор холоду (за наявності) покладіть на продукти. Заверніть заморожені продукти у декілька шарів газетного паперу та покладіть до холодного місця.
- Витягніть штепсельну вилку із розетки або вимкніть запобіжник.
- Розморозьте прилад.
- Після розморозжування зберіть талу воду в морозильній камері насподі гумкою.
- Прочистіть водою з невеликою кількістю миючого засобу. Ущільнення дверцят промивайте лише чистою водою і потім витирайте насухо.
- Включіть прилад знову.
- Покладіть заморожені продукти назад.

Розпилювачі для розморозжування

Дотримуйтеся обов'язково рекомендацій виробника.

Чистка приладу

1. **Увага:** Витягніть штепсельну вилку із розетки або вимкніть запобіжник!
2. Ущільнення дверцят промивайте лише чистою водою і потім дбайливо витирайте насухо.
3. Очистіть прилад теплою водою з невеликою кількістю миючого засобу. Миюча вода не повинна потрапляти до терморегулятора або освітлення **Малюнок 4**.
4. Після чистки: прилад підключити знову до мережі та ввімкнути.

Полочки в дверцятах для чистки можна виймати. **Малюнок 12**

Не користуйтеся засобами для чистки із піском або кислотами чи розчинниками.

Регулярно прочищайте стік для талої води та отвір стоку **Малюнок 6** паличкою або чимось подібним, щоб тала вода могла стікати.

Вода не повинна потрапляти через отвір стоку до випарної ванночки.

Увага!

Полочки та бокси ні в якому разі не мити в посудомийній машині. Елементи можуть деформуватися!

Заощадження енергії

- Установіть прилад в сухому, добре провітрюваному приміщенні, в захищеному від прямого сонячного проміння місці, де немає поблизу джерела тепла (радіатор і т.д.). В протилежному випадку, використайте ізоляційну плитку.
- Гарячі страви та напої слід спочатку охолодити.
- Намагайтеся якомога менше тримати дверцята відчиненими.
- Розморозьте та почистіть прилад.
- Стінку приладу час від часу слід чистити пилососом або щіткою, щоб запобігти підвищеному споживанню електроенергії.

Шуми при експлуатації

Звичайні шуми

Гудіння – працює холодильний агрегат.

Булькання, дзижчання або клокотання – холодильний засіб тече по трубах.

Клацання – мотор включається або вимикається.

Як уникнути шумів

Прилад стоїть нерівно

Установіть прилад рівно за допомогою ватерпасу, установивши гвинтові ніжки відповідним чином або підкладіть щось під низ.

Прилад торкається інших предметів

Відсуньте прилад від меблів чи приладів, до яких прилад доторкується.

Висувні ящики або полицки хитаються чи затиснуті

Перевірте елементи, які виймаються, та вставте їх за потреби знову.

Пляшки та посуд торкаються один одного

Розставте пляшки та посуд трохи поотдаля один від одного.

Перед викликом служби сервісу.

Перед викликом служби сервісу:

Перевірте, чи не зможете Ви самі усунути неполадки на основі наступних рекомендацій.

За консультацію служби сервісу Ви змушені будете заплатити – навіть під час гарантійного строку!

Неполадка	Можлива причина	Допомога
Внутрішнє освітлення не функціонує.	Дефектна лампочка.	Замініть лампочку. Малюнок 13/В <ol style="list-style-type: none">1. Витягніть штепсельну вилку із розетки або вимкніть запобіжник.2. Зніміть захисну решітку лампочки, потягнувши назад.3. Замініть лампочку (запасна лампочка, 220–240 V перемінний струм, патрон E14, ватт дивіться дефектна лампочка).
	Вимикач світла затиснутий. Малюнок 13/А	Перевірте, чи він рухається.
Холодильник не охолоджує.	Терморегулятор ввімкнений на «0».	Переключити терморегулятор із позиції «0» на іншу.
	Перерва в подачі струму; запобіжник вимкнений; штепсельна вилка не правильно всунута до розетки.	Перевірити наявність струму та запобіжники.
Низ холодильної камери мокрий.	Засмічена труба для стоку талої води.	Прочистіть стік для талої води та стічну трубу. Малюнок 6 (Дивіться Чистка приладу)

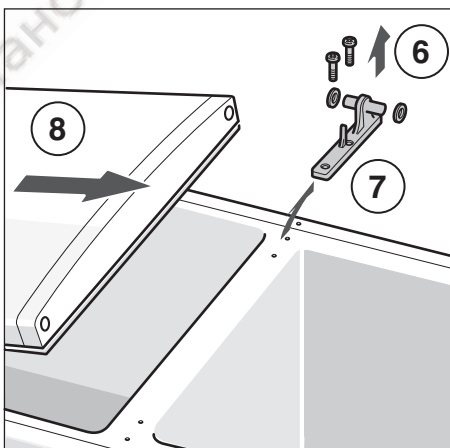
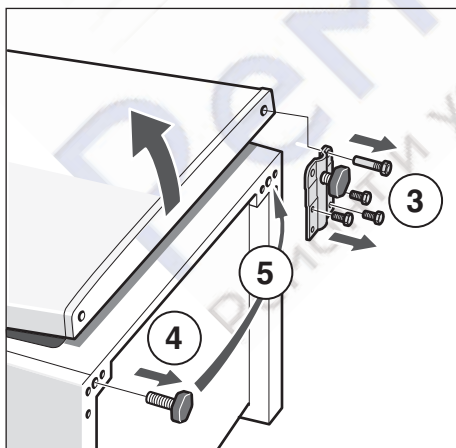
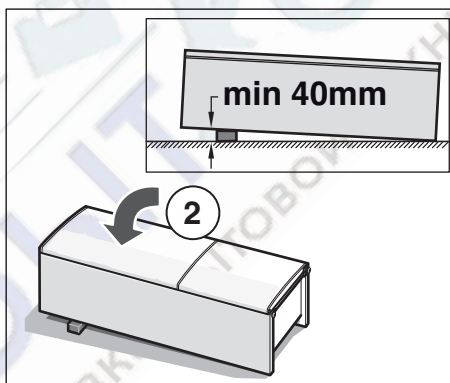
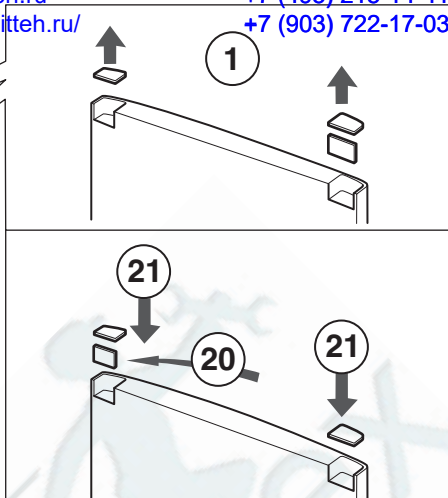
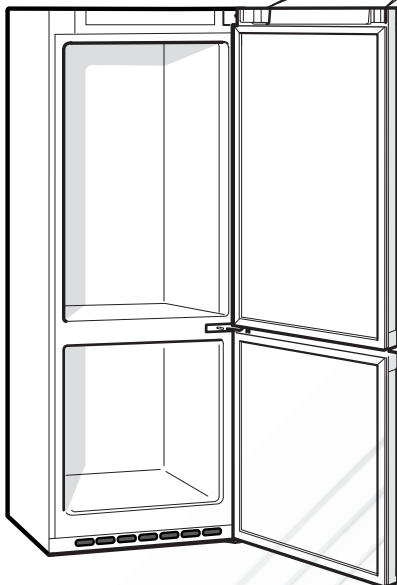
Неполадка	Можлива причина	Допомога
Установлена занадто низька температура.	Температура установлена із занадто низьким показником.	Установити вищу температуру.
Заморожені продукти розмерзаються.	Температура навколишнього сере- довища нижче +16 °С. Холодильний агрегат рідше включається.	Нагріти приміщення вище +16 °С. Ввімкніть регулятор температури за умови його наявності в приладі (дивіться розділ Зверніть увагу на температуру навколишнього сере- довища).

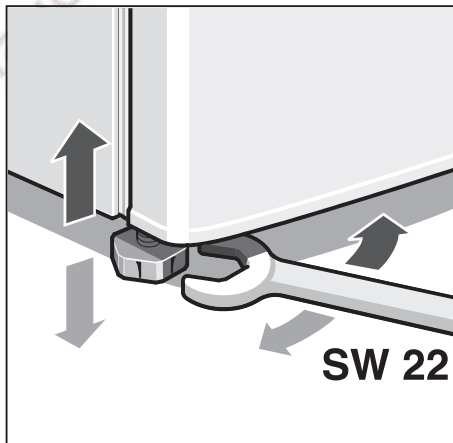
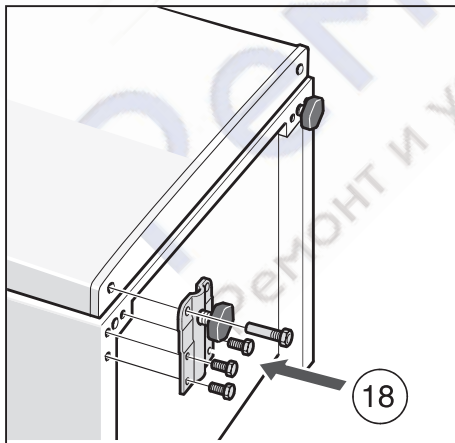
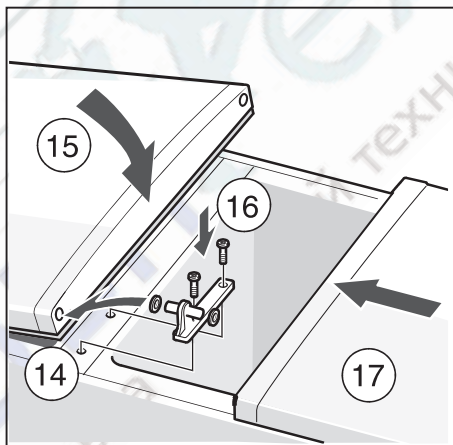
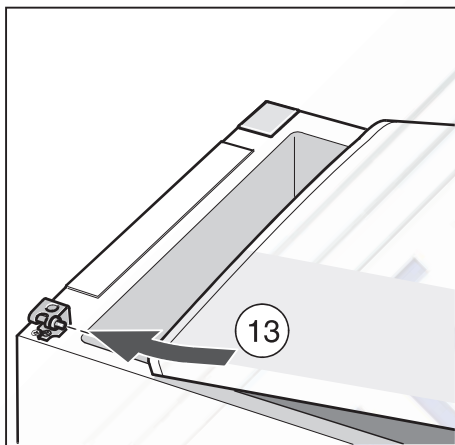
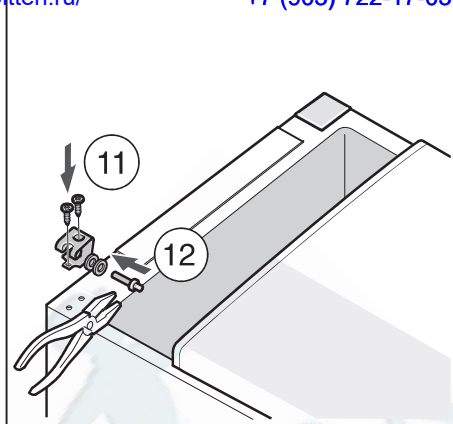
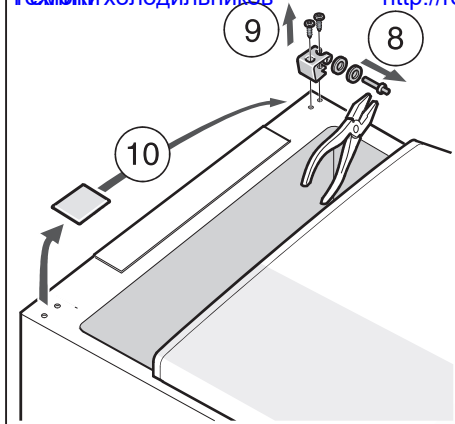
Служба сервісу

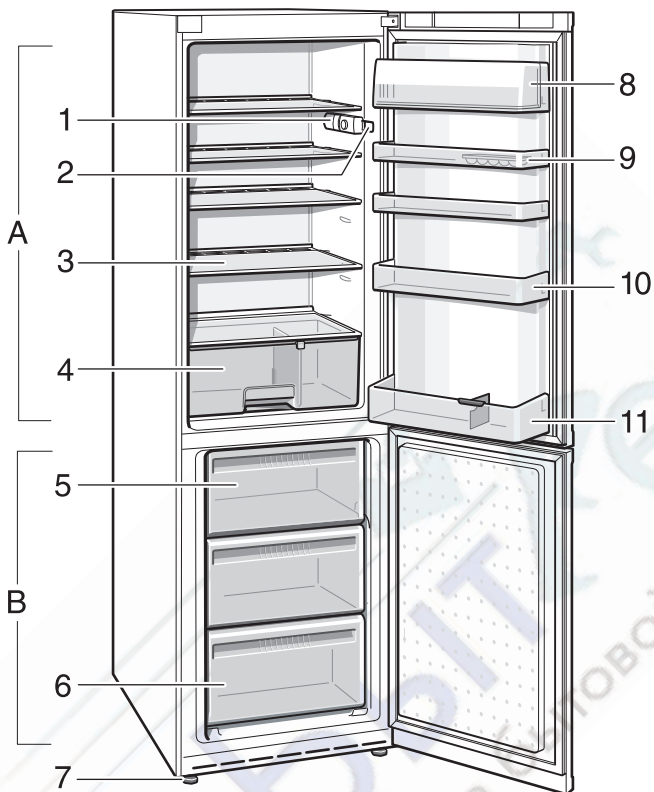
Службу сервісу поблизу Ви знайдете в телефонній книжці або у списку служб сервісу. Найближчу службу сервісу Ви знайдете в довіднику або на зворотньому боці гарантійного талону. Назвіть службі сервісу модель (**E-Nr.**) та дату випуску (**FD**) приладу.

Ці дані Ви знайдете на таблиці з технічними даними. **Малюнок 14**

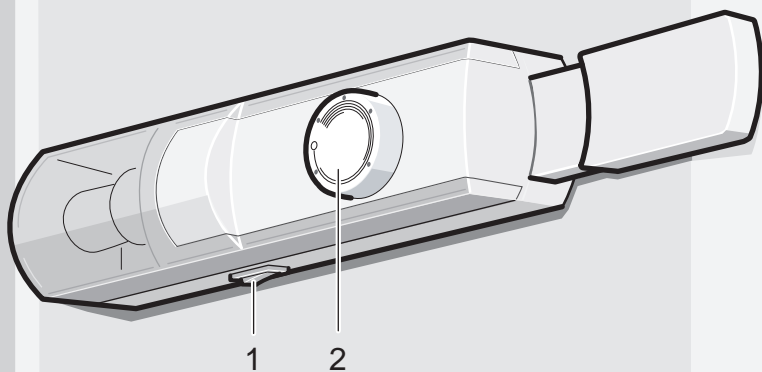
Назвавши модель та дату випуску, Ви зможете уникнути помилкового виклику співробітників служби сервісу. Так Ви заощадите кошти, пов'язані з помилковим викликом.







3



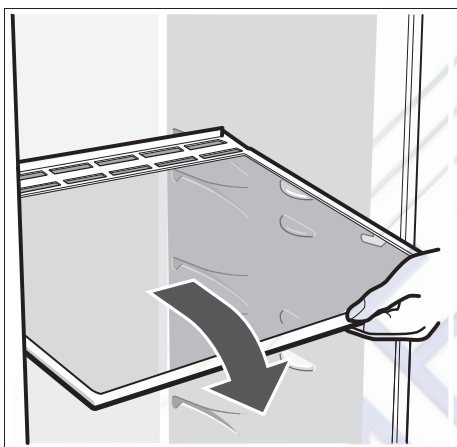
4



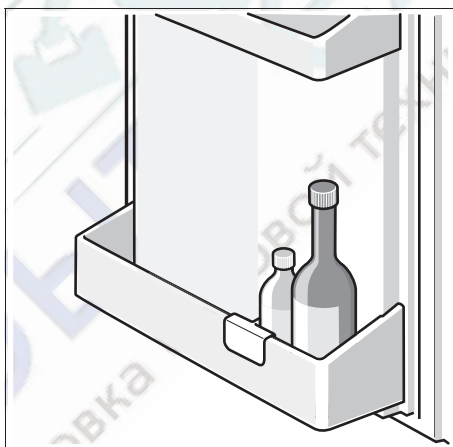
5



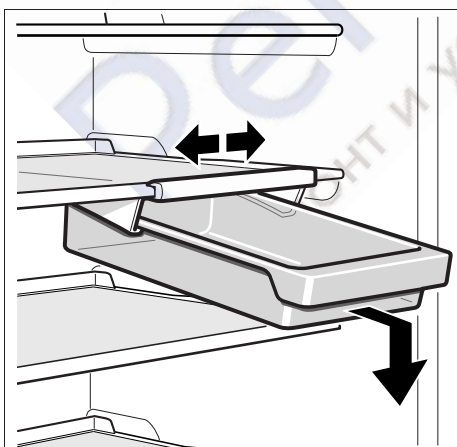
6



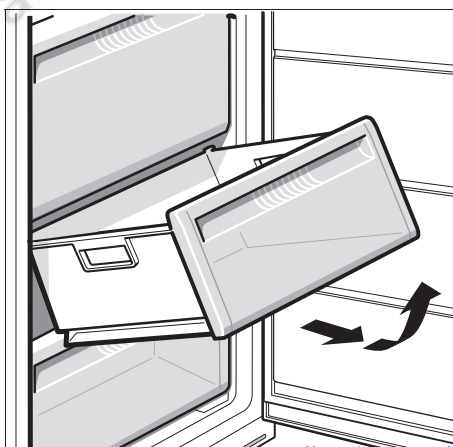
7



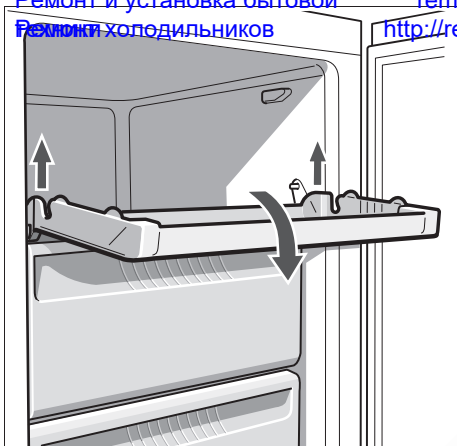
8



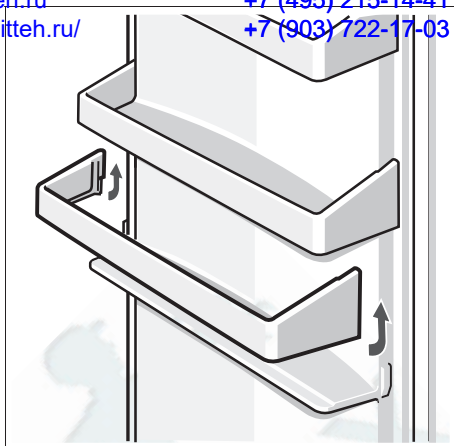
9



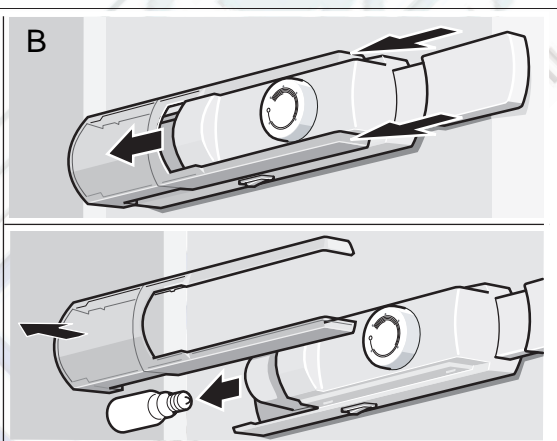
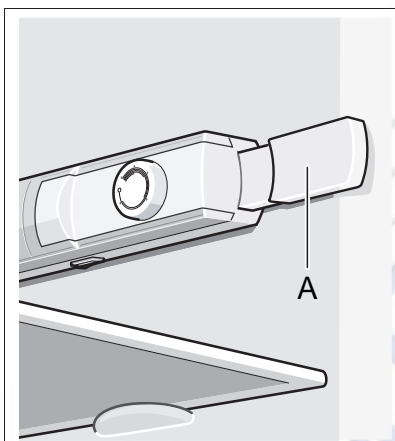
10



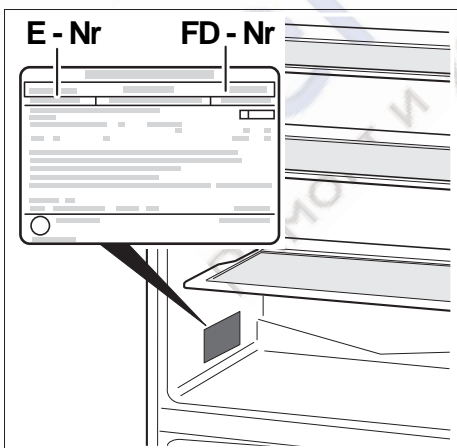
11



12



13



14

Ремонт и установка бытовой

rembitteh.ru

+7 (495) 215-14-41

Ремонт холодильников

<http://rembitteh.ru/>

+7 (903) 722-17-03

DE Tel. 0180/5 30 40 50 (EUR 0,14/Min. DTAG)



Subject to alterations.

Право на внесение изменений оставляем за собой.

Внесення змін не виключається.

ROBERT BOSCH HAUSGERÄTE GMBH
Carl-Wery-Straße 34, 81739 München
Internet: <http://www.bosch-hausgeraete.de>

<http://rembitten.ru/>uk
9000 210 598 (8712)